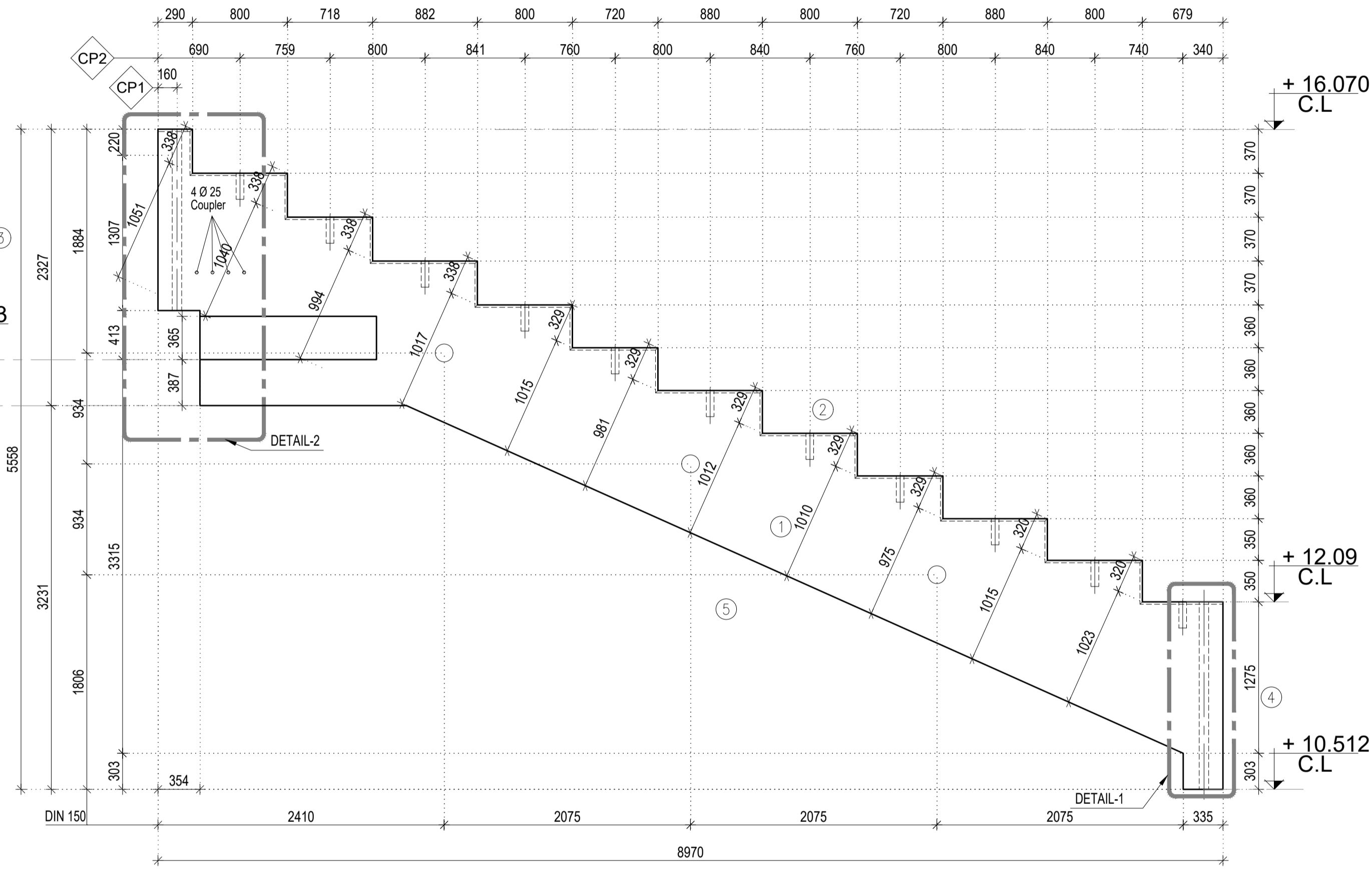
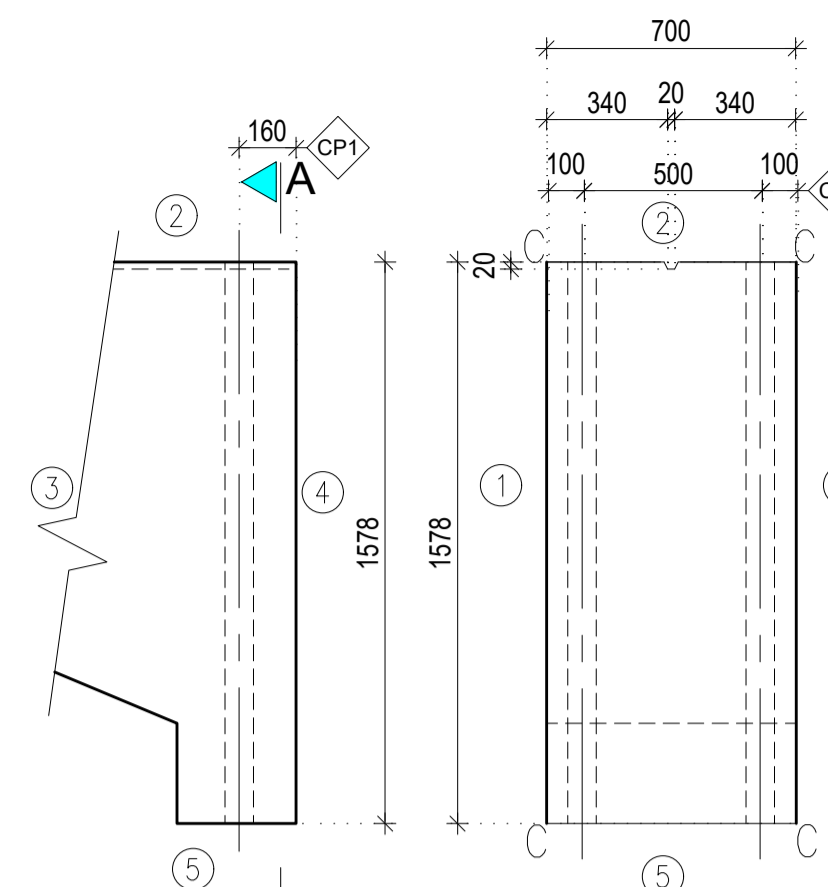


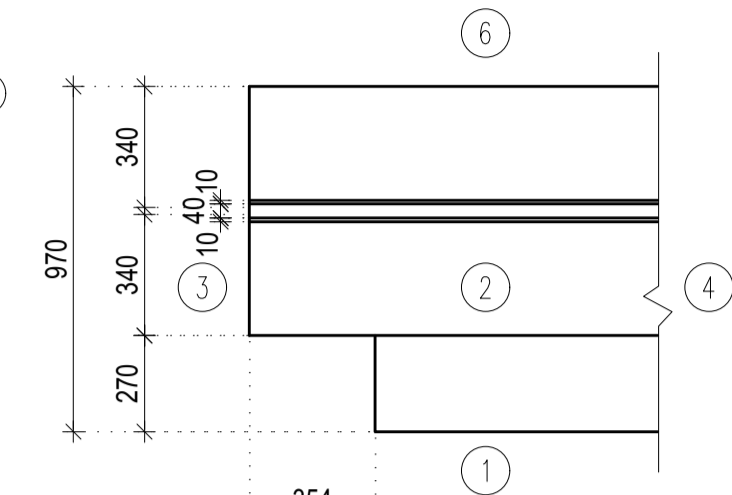
SIDE-2  
SCALE: 1:30



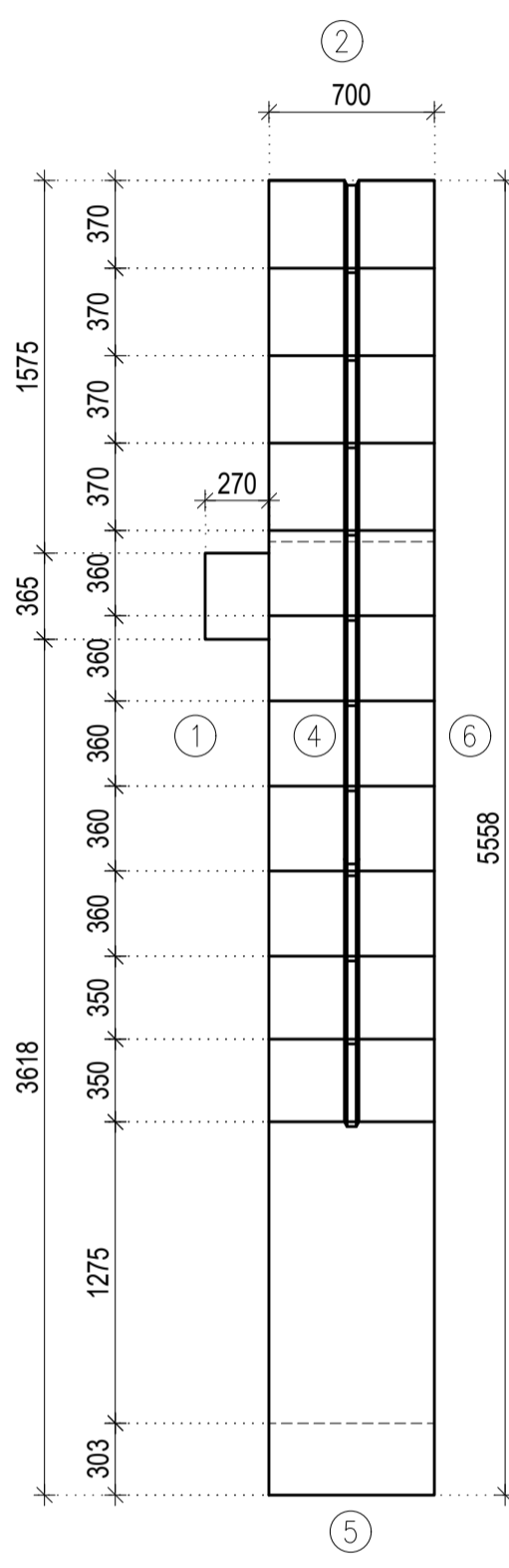
ELEVATION SIDE-1  
SCALE: 1:30



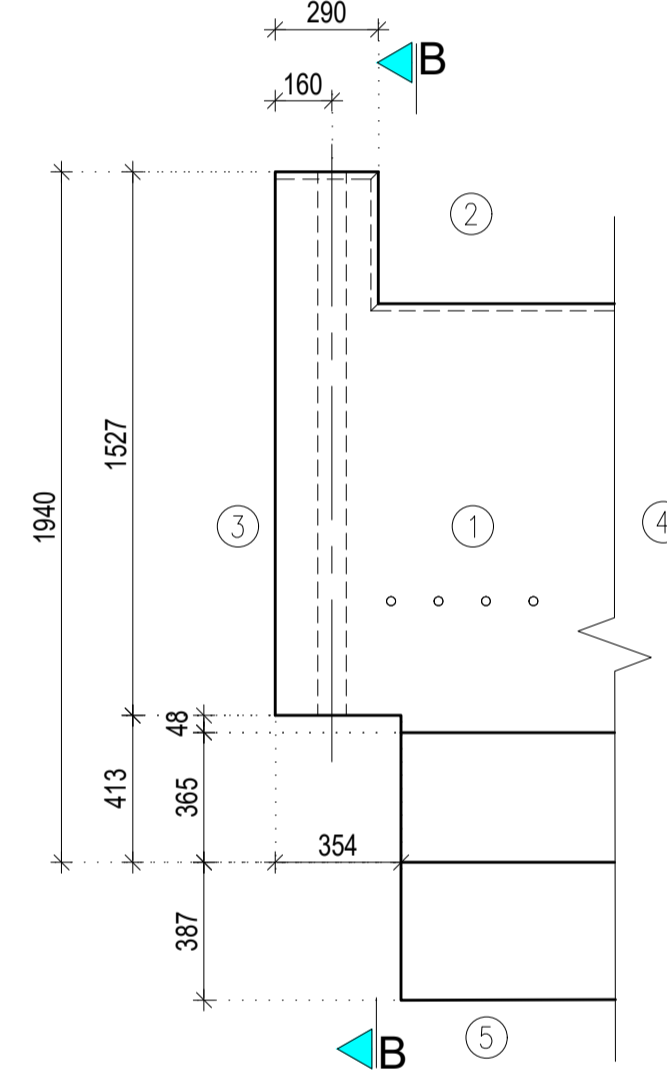
SECTION-AA  
SCALE: 1:20



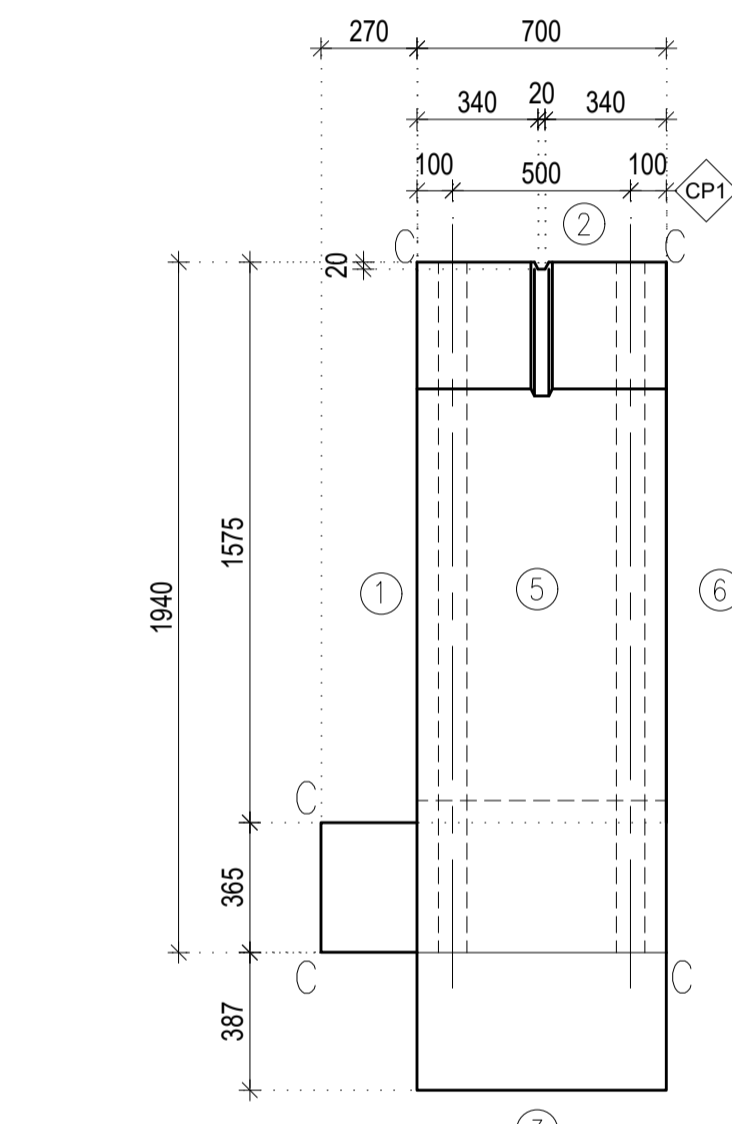
DETAIL-2 PLAN  
SCALE: 1:20



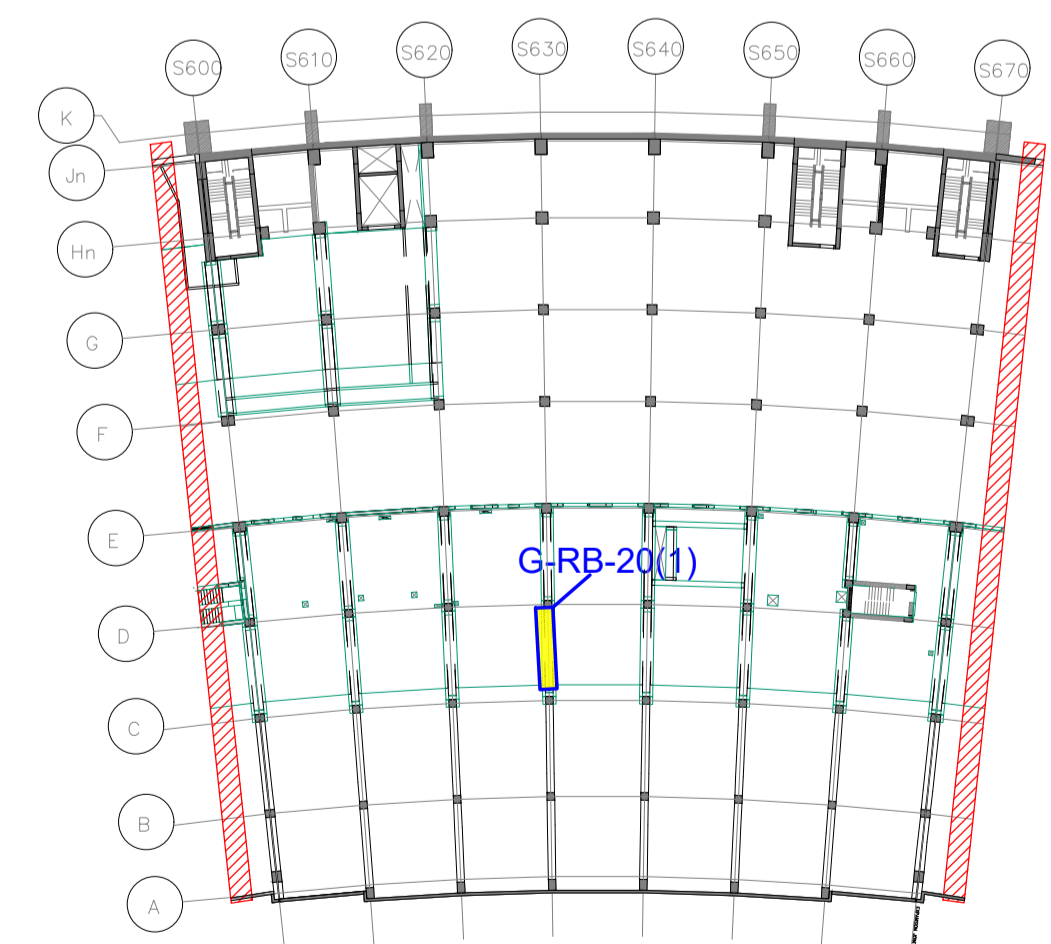
SIDE-4  
SCALE: 1:30



DETAIL-2  
SCALE: 1:20



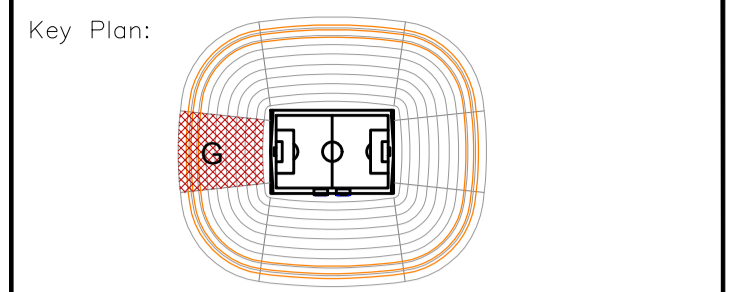
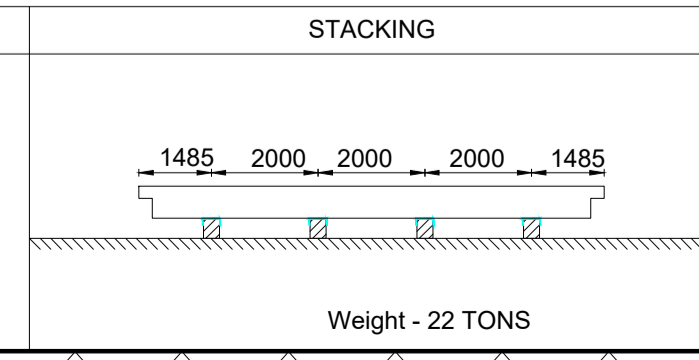
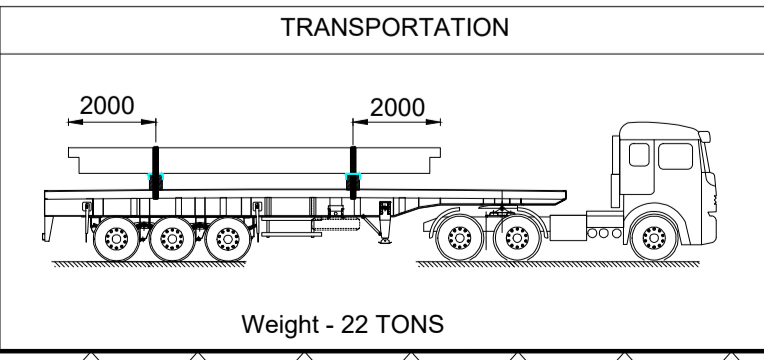
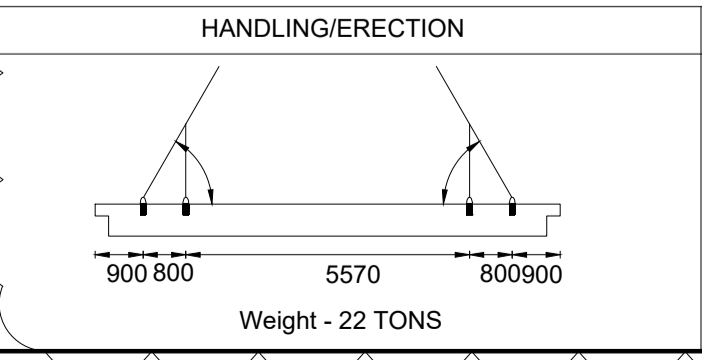
SECTION-BB  
SCALE: 1:20



SECTOR G RAKER BEAM DETAILS  
SCALE: 1:5

PLEASE PROVIDE  
RAKER BEAM DETAIL

MATERIAL	FINISHING	TOLLERANCE	CAST IN PARTS PER ELEMENT
CONCRETE GRADE	C50 (Rck=50MPa)	LENGTH ±5mm	ID NAME QTY
CONCRETE VOLUME	8.8m3	WIDTH ±3mm	CP1 Ø80 CLADDING TUBE 4
CONCRETE COVER	40mm	THICKNESS ±3mm	CP2 Ø65x220mm CORRUGATED TUBE 22
REINFORCEMENT	B500 (fyk=500MPa)	STRAIGHTNESS ±5mm For 300cm	



- Notes:
- ALL THE DIMENSIONS ARE IN MILLIMETERS UNLESS OTHERWISE STATED.
  - WATER PROOFING SYSTEM TO BE APPLIED ACCORDING TO THE MANUFACTURER RECOMMENDATION.
  - ALL LEVEL ARE REFER TO GND.
  - FOR ALL COORDINATES ARE BASED ON QND96
  - FOR ALL COLUMN AXIS REFER DWG NO: GSIC-TUN-PK2-STC-SHD-060004-C1
  - FOR SLAB SETTINGS CUT AND CONCRETE DRAWING DETAILS A SEPARATE DRAWING WILL BE SUBMITTED.

Package: - 604 - 100% FOUNDATION PLAN DESIGN SECTOR G

Reference Drawing: -

GSIC STA-PK2-STC-DWG-00600-00110-D2	LEVEL OF FOUNDATION/ GROUND SLAB C.L. +2.40
GSIC STA-PK2-STC-DWG-00600-00111-D2	LEVEL 1 BASEMENT C.L. +8.40/7.80/8.40/10.40
Q1017-0100D-GSIC STA-PK2-STC-DWG-00600-00362-D1	SECTION 3062-AXIS620
Q1017-0100D-GSIC STA-PK2-STC-DWG-00600-00502-D1	DETAILS FLOOR PLAN LEVEL 1
Q1017-0100D-GSIC STA-PK2-STC-DWG-00600-00522-D1	GENERAL CONNECTION DETAILS

A	No Objection
B	No objection subject to incorporation of all comments as noted.
C	Rejected, to be resubmitted

Engr.	R.E
Date:	Date:

C1	FIRST ISSUE	31/05/16	LAT	AG
No	Description	Date	Drawn	Chkd

Issues/Revisions				
Client:				

Consultant :	
Main Contractor :	
Design Consultant :	

Drawing Status: PRECAST SHOP DRAWING

Project	
Dwg. Title	

Scale: 1:30, 20

Drawn By:

Checked By:

Approved By:

Project Code	Org. Code	Building Code	Package No.	Discipline	Doc. Type	Sequence No.	Part	Rev. No.
Q1017-0100D	GSIC STA	PK2	STC	SHD	060661	1	of 2	C1